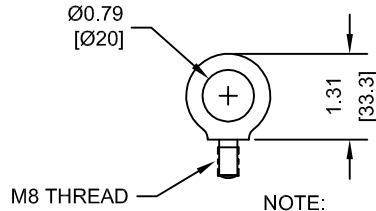


(2) EXTERNAL COOLING FANS

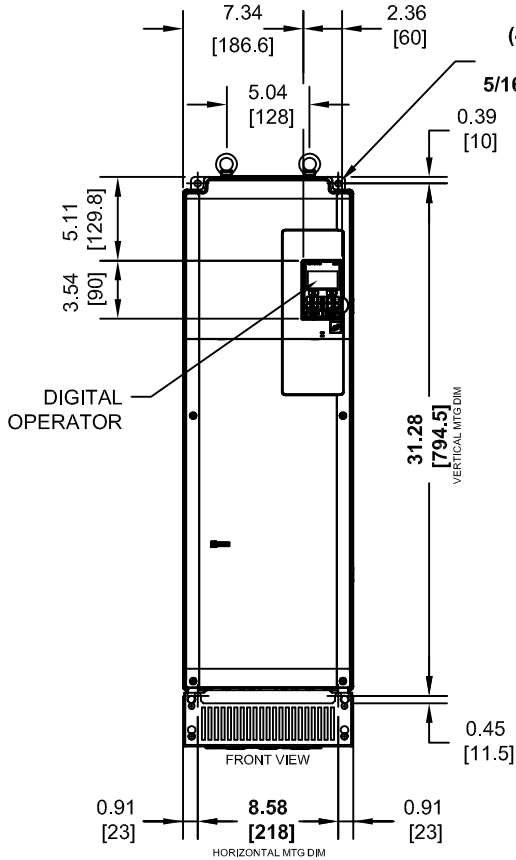
TOP PROTECTIVE COVER

LIFTING AND EYEBOLT DETAILS

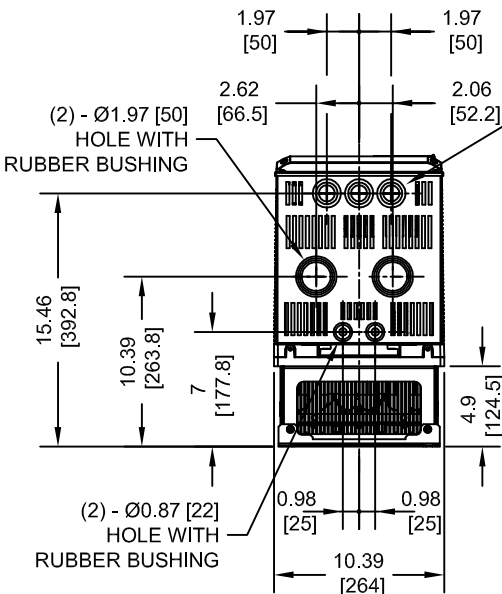
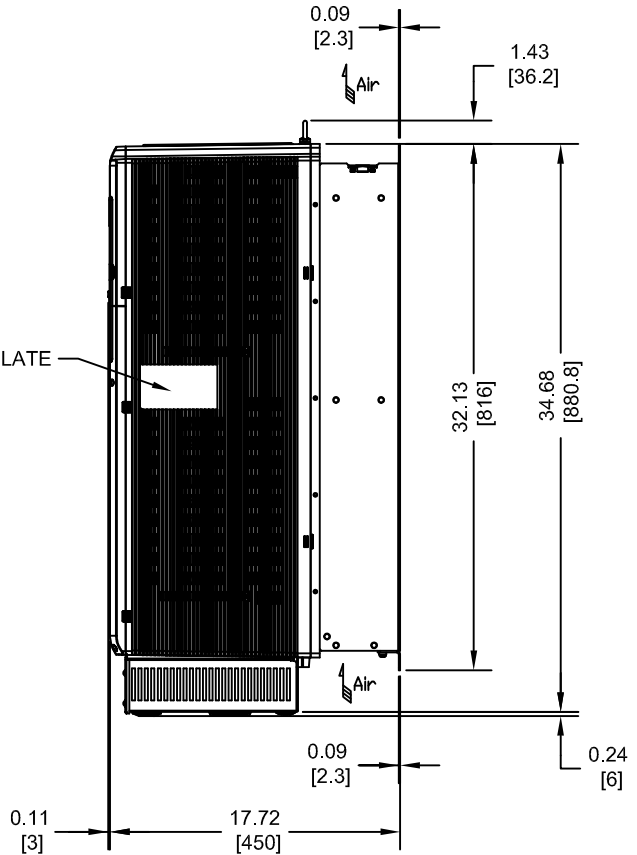


NOTE:
SPREADER BAR REQUIRED TO AVOID DAMAGE DURING LIFTING

(4)-MOUNTING HOLES FOR 5/16" [M8] SCREWS



NAMEPLATE



THE DIMENSIONS SHOWN ARE FOR AN IP00 OPEN TYPE DRIVE THAT HAS BEEN CONVERTED TO A NEMA TYPE 1 DRIVE BY ADDING THE PARTS FROM NEMA 1 KIT PART NUMBER EZZ022745C

MODEL # CIMR-UU	VOLTAGE 3-PHASE (VAC)	OUTPUT CURRENT (A)		WEIGHT LBS (Kg)	WEIGHT WITH EMC FILTER LBS (Kg)	HEAT LOSS (W)					
		ND	HD			ND (Fc=4kHz)			HD (Fc=4kHz)		
						INT	EXT	TOT	INT	EXT	TOT
2□0104□□□	200/240	104	81	137 (62)	143 (65)	282	1696	1978	234	1313	1547
2□0130□□□		130	104	137 (62)	143 (65)	341	2157	2498	280	1673	1953
4□0096□□□	380/500*	96	77	137 (62)	143 (65)	290	1715	2005	247	1373	1620
4□0124□□□		124	96	137 (62)	143 (65)	362	2256	2618	290	1693	1983

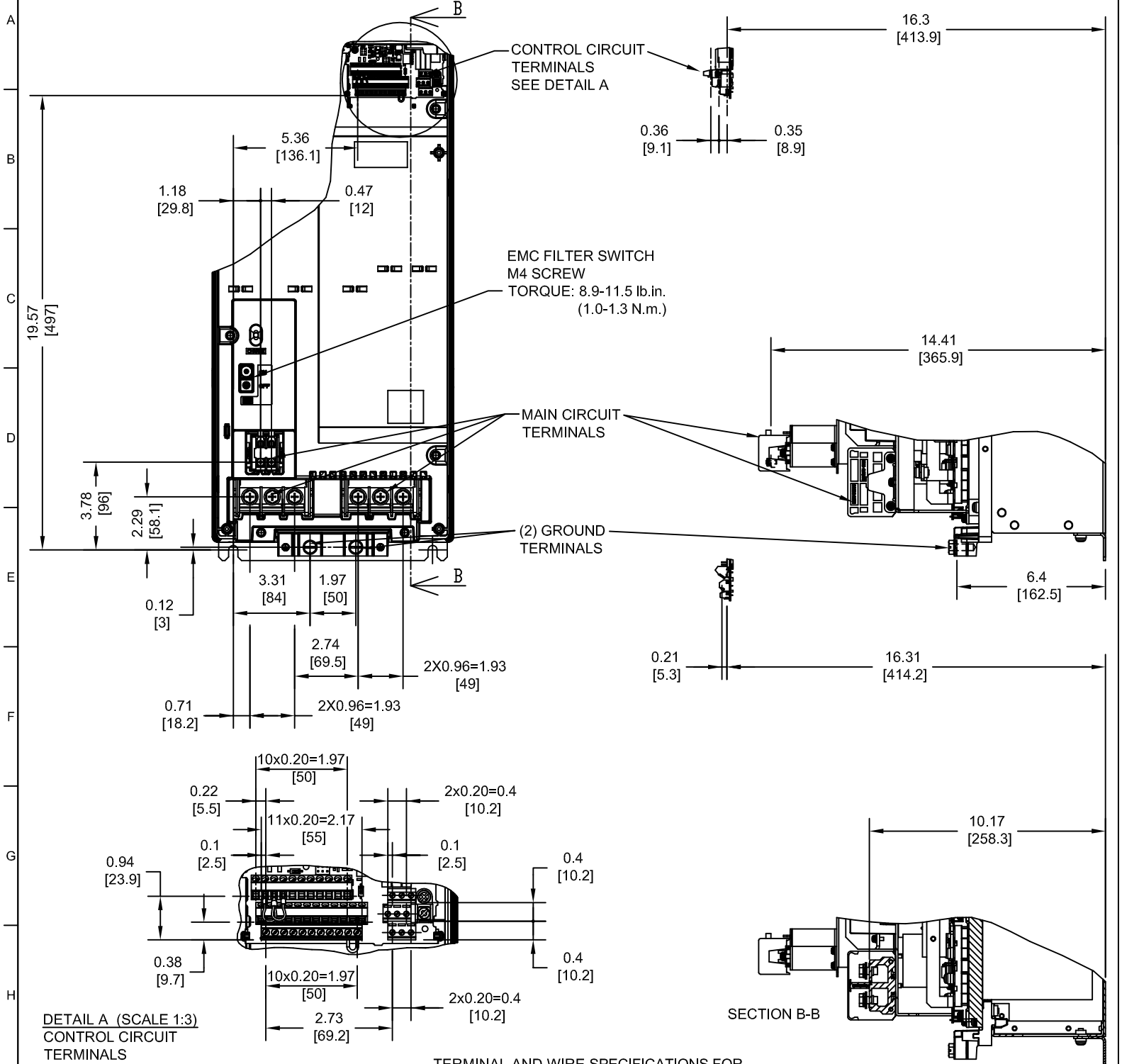
NOTES:
□ DENOTES A-Z
□□ DENOTES AAA-ZZZ
* - FOR MODELS WITH INTEGRAL EMC FILTER, VOLTAGE RATING IS 380/480.

INT=INTERNAL COMPONENTS
EXT=EXTERNAL HEATSINK
TOT=TOTAL

FOR ADDITIONAL DETAILS AND SPECIFICATIONS, CONSULT MANUAL

TOLERANCES / REFERENCES:			DRAWN: J. MATTAS	DATE 4-13-15	TITLE: U1000 DIMENSION DRAWING
UNITS: IN[mm]	SCALE: 1:12		CHECKED: J. PIOTROWSKI	DATE 4-21-15	FRAME SIZE 3
THIS DOCUMENT AND INFORMATION CONTAINED IN IT ARE CONFIDENTIAL, AND CANNOT BE COPIED OR DISCLOSED IN WHOLE OR IN PART WITHOUT THE EXPRESS WRITTEN CONSENT OF YASKAWA AMERICA, INC.		TECH: J. BORJA	DATE 4-22-15	NEMA TYPE 1 ENCLOSURE	
		APPROVED: J. CAIRO	DATE 4-30-15	2□0104, 2□0130, 4□0096 AND 4□0124	
		ORIGINAL DESIGN:	DATE -	SIZE A	REVISION R00
				PAGE 1 of 3	
				DRAWING #: DD.U1K.FR3.N1	

TERMINAL AND WIRING DETAILS (SCALE 1:6)



DETAIL A (SCALE 1:3)
CONTROL CIRCUIT TERMINALS

TERMINAL AND WIRE SPECIFICATIONS FOR MAIN CIRCUIT AND GROUND

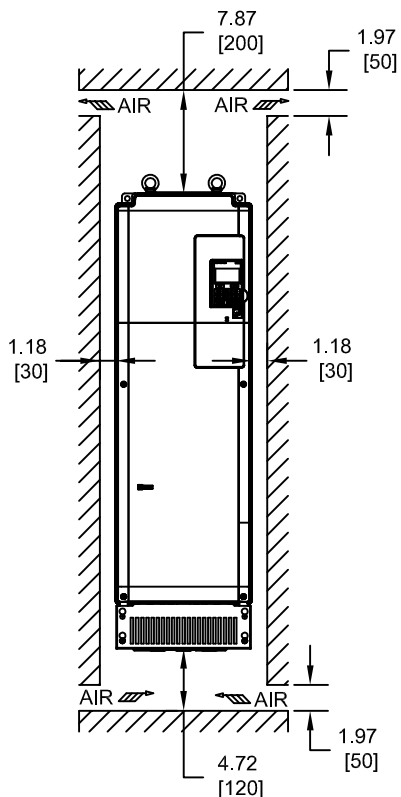
MODEL # CIMR-UU	TERMINAL SYMBOL	TERMINAL SCREW	CLAMPING TORQUE lb.in.(N.m.)	WIRE RANGE AWG(mm ²)
2□0104	R/L1, S/L2, T/L3	M8	70.8 TO 88.5 (8 TO 10)	10 TO 1/0 (6 TO 50)
2□0130	U/T1, V/T2, W/T3			
4□0096	p1, n1	M4	10.6 TO 17.7 (1.2 TO 2.0)	14 TO 12 (2.5 TO 4)
4□0124	⊕	M8	78.1 TO 95.5 (8.8 TO 10.8)	4 TO 1 (25 TO 35)

NOTE: REFER TO APPLICABLE CODES FOR PROPER WIRE TYPE AND SIZE

TOLERANCES / REFERENCES:			DRAWN: J. MATTAS	DATE: 4-13-15	TITLE: U1000 DIMENSION DRAWING		
			CHECKED: J. PIOTROWSKI	DATE: 4-21-15	FRAME SIZE 3		
		TECH: J. BORJA		DATE: 4-22-15	NEMA TYPE 1 ENCLOSURE		
		APPROVED: J. CAIRO		DATE: 4-30-15	SIZE: A	REVISION: R00	PAGE: 2 of 3
UNITS: IN[mm]	SCALE: BY VIEW	ORIGINAL DESIGN: -		DATE: -	DRAWING #: DD.U1K.FR3.N1		

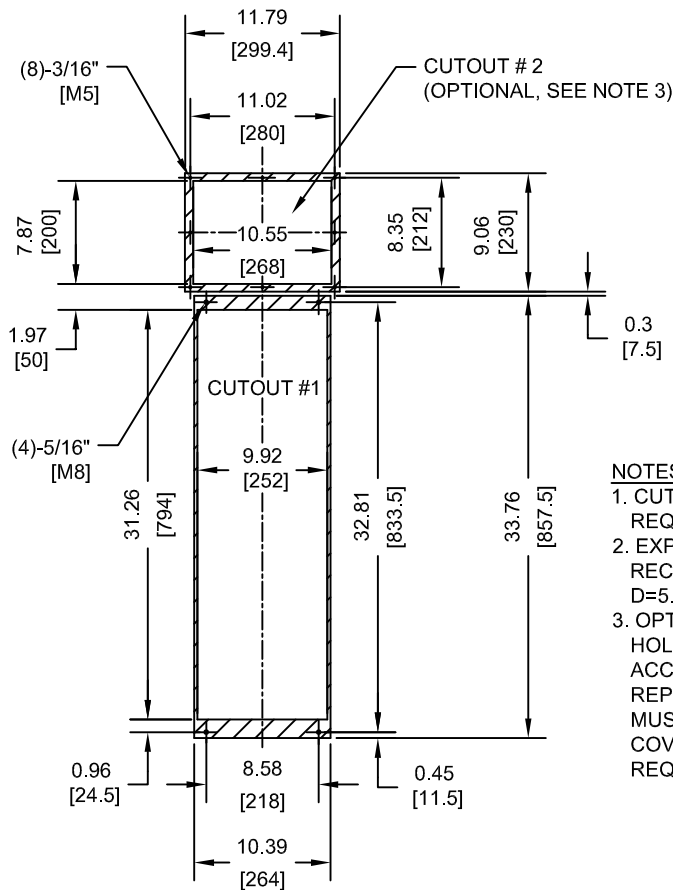
THIS DOCUMENT AND INFORMATION CONTAINED IN IT ARE CONFIDENTIAL, AND CANNOT BE COPIED OR DISCLOSED IN WHOLE OR IN PART WITHOUT THE EXPRESS WRITTEN CONSENT OF YASKAWA AMERICA, INC.

MINIMUM INSTALLATION CLEARANCES (SCALE 1:15)



NOTE:
FOR SIDE-BY-SIDE MOUNTING
CONSULT MANUAL

PANEL CUTOUT FOR EXTERNAL HEATSINK
MOUNTING CONFIGURATION (SCALE 1:15)



NOTES:

- CUTOUT #1: EXTERNAL HEATSINK, REQUIRES MOUNTING KIT
- EXPOSED HEATSINK RECOMMENDED CLEARANCE D=5.51"
- OPTIONAL CUTOUT #2 IS AN ACCESS HOLE TO ALLOW FOR FRONT ACCESS DURING HEATSINK COOLING FAN REPLACEMENT. THE PANEL BUILDER MUST SUPPLY THE APPROPRIATE COVER PLATE AND HARDWARE REQUIRED TO CLOSE THIS OPENING.

FOR ADDITIONAL DETAILS AND SPECIFICATIONS, CONSULT MANUAL

TOLERANCES / REFERENCES:		<p>THIS DOCUMENT AND INFORMATION CONTAINED IN IT ARE CONFIDENTIAL, AND CANNOT BE COPIED OR DISCLOSED IN WHOLE OR IN PART WITHOUT THE EXPRESS WRITTEN CONSENT OF YASKAWA AMERICA, INC.</p>	DRAWN: J. MATTAS	DATE 4-13-15	TITLE: U1000 DIMENSION DRAWING
			CHECKED: J. PIOTROWSKI	DATE 4-21-15	FRAME SIZE 3
			TECH: J. BORJA	DATE 4-22-15	NEMA TYPE 1 ENCLOSURE
			APPROVED: J. CAIRO	DATE 4-30-15	2-0104, 2-0130, 4-0096 AND 4-0124
UNITS: IN[mm]	SCALE: BY VIEW	ORIGINAL DESIGN:	DATE	SIZE A	REVISION R00
					PAGE 3 of 3
		DRAWING #: DD.U1K.FR3.N1			